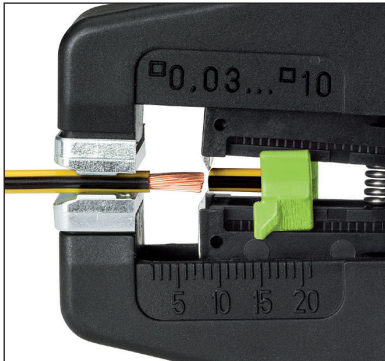
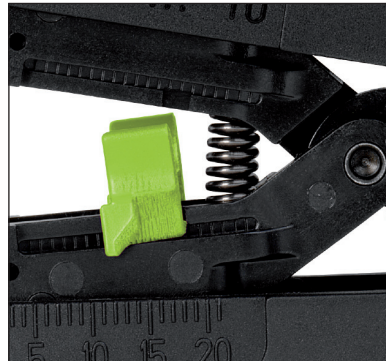


Innovative professional tools used wherever top results are expected!

Patented



Metal jaws, improved blade geometry



Fully automatic stripping unit, 0.03–10 mm², length stop, easily adjustable



Ergonomic grip design with safety function for cable cutter up to 10 mm²

RENNSTEIG TOOLS

KNOW-HOW IN YOUR HAND

Whether at a construction site, in a workshop or on an aircraft, user requirements are very diverse. What all users share are the highest standards for their work, as well as the highest demands on the ergonomics and practical functionality of the tools they use.

With their innovations, high-quality materials, precise finishing and long-life design, Rennsteig tools are what professionals look for in their daily work.

[Rennsteig Cable and Connector Tools now available in Southern Africa via Trysome Auto-Electrical Engineering outlets.](#)

THAT'S RENNSTEIG

ALWAYS A STEP AHEAD

As technology continues to progress, new tools are needed to work faster, more precisely and more economically with these technologies. Rennsteig are experts at developing these tools and adapting them to shifting market demands and user needs.

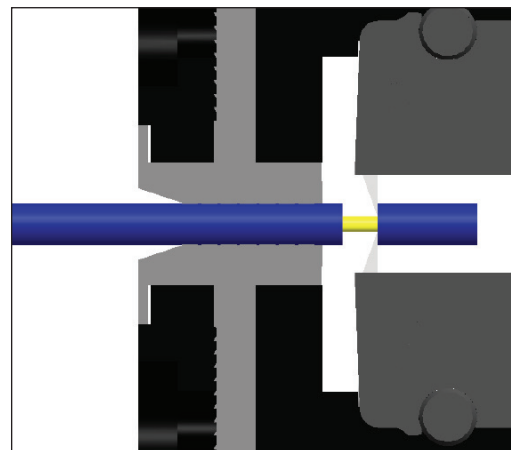
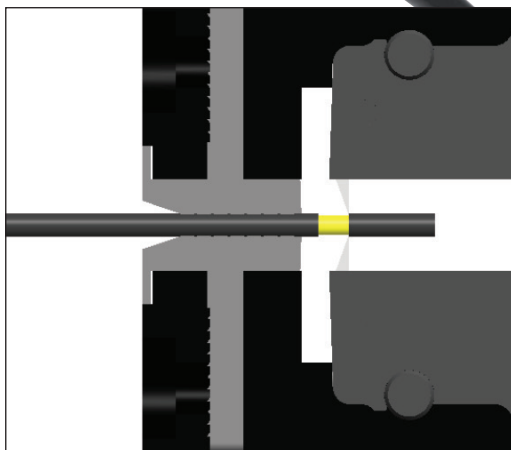
Over 50 international patents are impressive confirmation of Rennsteig's lead on world markets.

- Fully automatic adjustment to all solid, multi- and fine stranded conductors with PVC insulation and a number of special insulations throughout the entire capacity range of 0.03 to 10.0 mm²
- Improved blade geometry - rugged and more durable style
- With recessed wire cutter for Cu and Al conductors, stranded up to 10.0 mm² and single wire up to 6.0 mm²
- Optimised grip design with safety function for cable cutter and improved ergonomics
- Length stop easily adjustable

Patented



OE No.	Capacity mm ²	Length mm	Weight g
707 020	0.03 - 10	195	200
707 021	spare blade pair		
707 022	spare length stop		



Patented automatic blade closure. For details see www.rennsteig.com.



Interchangeable blade pair

This product may not be a stock item. Please speak to our sales representative about lead times. Lead times, price, and availability can only be determined on receipt of an official quote from our supplier. This can sometimes take up to 3 days.

Gauteng - Jet Park (HQ):

T: +27 (0)11 823 5650

Free State - Bloemfontein:

T: +27 (0)63 257 0505

Eastern Cape - Port Elizabeth:

T: +27 (0)81 036 9111

KwaZulu Natal - Pinetown:

T: +27 (0)31 303 4129

Mpumalanga - Middelburg:

T: +27 (0)13 692 8132

Northern Cape - Kathu:

T: +27 (0)53 723 3415

Northern Cape - Springbok:

T: +27 (0)60 570 8092

North West - Rustenburg:

T: +27 (0)14 596 5257

Western Cape - Cape Town:

T: +27 (0)21 945 1453

Botswana, Gaborone:

T: +267 399 4150

Botswana, Jwaneng:

T: +267 72 779 538

Botswana, Letlhakane:

T: +267 297 8568

Mozambique, Tete:

T: +258 252 20666

Zambia, Kitwe:

T: +26 (0)21 222 5338

Follow us...



Call us today!
TRYSOME
AUTO-ELECTRICAL ENGINEERING

Delivering Optimal **Uptime!**