

FOR OPTIMIZED AND TARGETED ILLUMINATION



With **NORDIC LIGHTS® Pictor 620** you'll be sure to hit the bullseye. This LED work light is designed to be mounted on equipment booms or vehicle bodies for optimized and targeted illumination of a specific work area. Thanks to its compact and clever design, this low-profile work light is unbeatable in durability.

The mechanical, thermal and corrosion resistance of **Pictor 620** is excellent thanks to its Grilamid® lens and new strengthened aluminium housing. While the **Pictor 620** is lightweight and small, it still delivers as many as 1 800 operational lumens and a vibration strength capacity of 15.3 g.

There are two versions available, one with a light pattern optimized for mounting on the left, right or beneath the vehicle body, and one designed for top mounting. Used in the construction, forestry and mining industries, it is particularly suitable for excavators, telehandlers and other equipment with a boom.

Key Features

- Compact and low-profile design, doesn't break easily
- Suitable for mounting in tight spaces
- Superior electromagnetic compatibility
- (CISPR 25 Class 5)

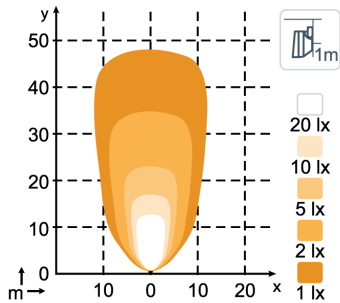


Technical Data

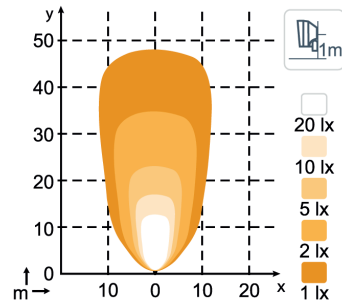
Theoretical Lumens Output:	2 700 Lumens
Operational Lumens Output:	1 800 Lumens
Colour Temperature:	5 000 K
Nominal Voltage DC:	12 V, 24 V
Input Voltage DC:	9 - 16 V, 18 - 32 V
Power Consumption:	28 w
Nominal Current at:	12 V = 2.0 A, 24 V = 1.0 A
Connector:	Built-in Deutsch DT-2 (2-pin)
Mount:	M16 or M10
Shock:	60 G
Vibration:	15.3 Grms 24 - 2000 Hz
Lens:	Grilamid® (registered trademark of EMS-GRIVORY)
Body/Housing:	Aluminium
Weight:	0.7 kg
IP Rating:	IP68, IP6K9K
Salt Spray Test:	ISO 9227 240H
EMC:	CISPR 25 Class 5, ISO 13766, ISO 14982, ISO 7637-2, ISO 13309, ISO 11452-2, EN 61000-4-2, ISO 14982, EN 12985
Operating Temperatures:	-40° C... +85° C (Overheat protected)
Electronics:	Isolated

Light Patterns

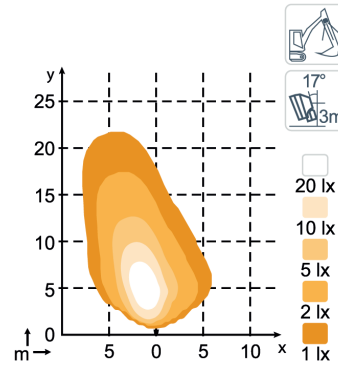
Pictor 620, 1 800 Lumens Flood TD US - T987-204B



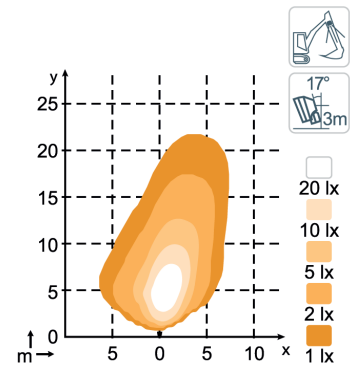
Pictor 620, 1 800 Lumens Flood TT DS - T987-205B



Pictor 620, 1 800 Lumens Flood LH US - non stock item to order only



Pictor 620, 1 800 Lumens Flood RH US - non stock item to order only

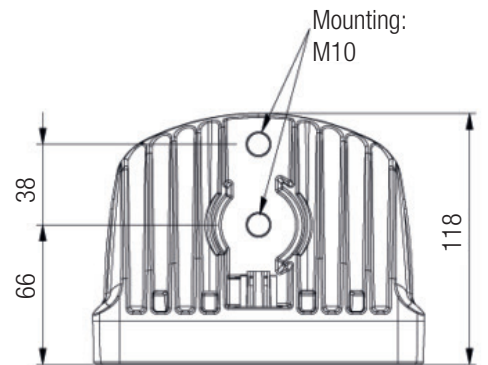
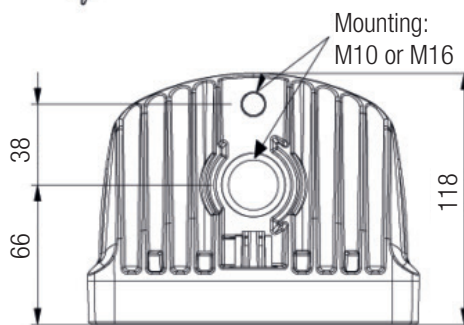
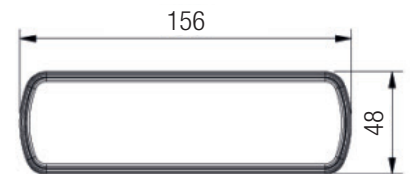
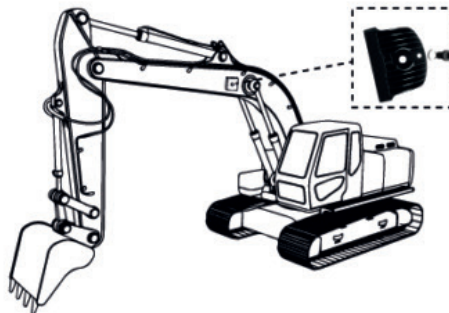


Connector



Built-in Deutsch DT-2 (2-pin)

Dimensions



These may not be a stock items. Please speak to our sales representative about lead times. Lead times, price and availability can only be determined on receipt of an official quote from our supplier. This can sometimes take up to 3 days.

Gauteng (HO):
T: +27 (0)11 823 5650

North West:
T: +27 (0)14 596 5257

Eastern Cape:
T: +27 (0)81 036 9111

Botswana, Letlhakane:
T: +267 297 8568

KwaZulu Natal:
T: +27 (0)31 303 4129

Mpumalanga:
T: +27 (0)13 692 8132

Free State:
T: +27 (0)63 257 0505

Mozambique:
T: +258 252 20666

Northern Cape:
T: +27 (0)53 723 3415

Western Cape:
T: +27 (0)21 945 1453

Botswana, Jwaneng:
T: +267 588 7617

Zambia:
T: +26 (0)21 222 5338