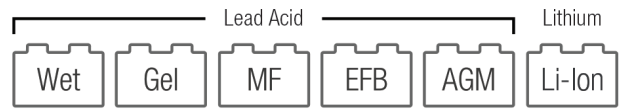


NOCO[®]
Since 1914

GENIUS5
6V & 12V 5A

NOCO
genius[®] 5[™]

BATTERY CHARGER[™]
+ MAINTAINER



Auto | Marine | RV | Powersport | Lawn & Garden



Part No.: T120016925

EVERYTHING CHARGER.

Do more with Genius. Multi-voltage, chemistries, and types.

Meet the GENIUS5 - Similar to our G3500, just better. It's 34% smaller and delivers over 43% more power, and it's simpler and easier to use than ever before. Plug in, connect to the battery, select a charge mode, and start charging your battery. A fully-automatic, worry-free battery charger for year-round use. Designed for 6-volt and 12-volt lead-acid automotive, marine, and deep-cycle batteries, including flooded, gel, AGM, and maintenance-free, plus lithium-ion batteries.



CHARGE DOWN TO ZERO VOLTS

Charge dead batteries as low as 1 volt. Or use the all-new Force Mode that allows you to take control and manually begin charging dead batteries down to zero volts.



BRING BATTERIES BACK TO LIFE.

Built-in desulfation mode for the most corroded batteries. Auto detection with smart diagnostic indicators starts a Repair Mode integrated within a 9-step charging profile.



THERMAL COMPENSATION.

An integrated thermal sensor detects the ambient temperature and alters the charge to eliminate overcharging in hot climates and under-charging in cold climates.



WORRY-FREE CHARGING.

Provides all-season, all-weather charging for a healthy battery. Leave plugged in 24/7 with no worries of overcharging. Automatically returns to its last selected mode.

WHAT'S IN THE BOX.

56" (142.24 cm)



85" (217 cm)

Charger +
Interchangeable
Connector

21" (55 cm)

Battery Clamps +
Integrated Eyelets



Mounting Bracket
+ Strap



(2) #8x1"
Self-tapping
Screws

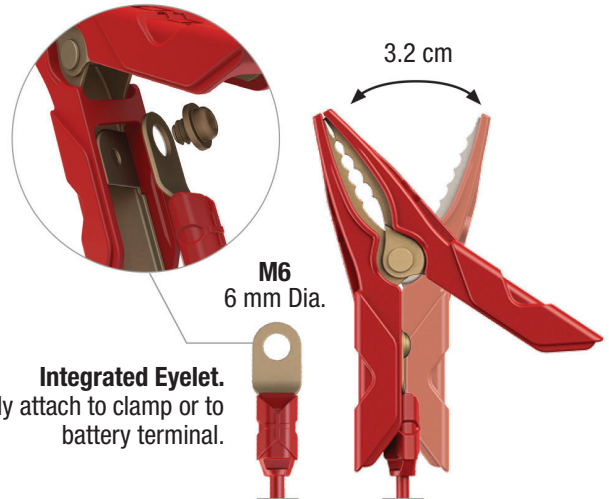


User Guide

NOCO Patented Technology
Patented: visit no.co/patents

MAXIMUM VERSATILITY.

Genius clamps are built with needle-nose profiles for smaller terminal applications and detachable integrated eyelets for permanently mounting the accessory to the battery.



Integrated Eyelet.
Directly attach to clamp or to
battery terminal.

TECHNICAL SPECIFICATIONS

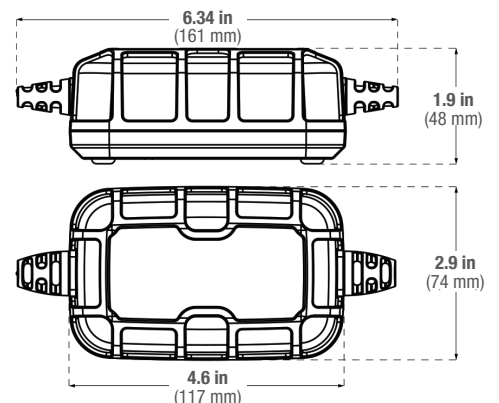
Line Voltage AC:	120-240 Vac, 50-60 Hz	DC Cable Length:	197.10 cm
Output Power:	75 Watts Max	AC Cable Length:	182.11 cm
Charging Voltage:	Various	Back Current Drain:	<5 mA
Charging Current:	5 A (12 V), 5 A (6 V)	Battery Capacity:	Up to 120 Ah, Maintains All Battery Sizes
Chemistry:	Lead-Acid and Lithium	Housing Protection:	IP65
Operating Temperature:	-4 °F to 104 °F (-20 °C to +40 °C)	Dimensions (LxWxH):	117 x 74 x 48 mm
Storage Temperature:	-22 °F to 140 °F (-30 °C to +60 °C)	Unit Weight:	0.45 kg
Low-Voltage Detection:	1 V (12 V), 1 V (6 V)	Cooling:	Natural Convection

CHARGING TIMES (for reference, results may vary)

Battery Size	Approx. Charge Time in Hours	
	6 V	12 V
20 Ah	3	3
40 Ah	6	6
80 Ah	12	12
100 Ah	15	15
120 Ah	18	18

WHAT'S IN THE BOX

- Genius5 Battery Charger with Interchangeable Connector
- Clamps with Integrated Eyelets
- Mounting Bracket with Strap
- (2) Self-Tapping Screws
- User Guide & Warranty Information



This may not be a stock item. Please speak to our sales representative about lead times. Lead times, price and availability can only be determined on receipt of an official quote from our supplier. This can sometimes take up to 3 days.

South Africa, Gauteng, Jet Park - Head Office:

T: +27 (0)11 823 5650

KwaZulu Natal:

Mpumalanga:

Free State:

Botswana, Letlhakane:

T: +27 (0)31 303 4129

T: +27 (0)13 692 8132

T: +27 (0)63 257 0505

T: +267 297 8568

Northern Cape:

Western Cape:

Botswana, Gaborone:

Mozambique, Tete:

T: +27 (0)53 723 3415

T: +27 (0)21 945 1453

T: +267 399 4150

T: +258 252 20666

North West:

Eastern Cape:

Botswana, Jwaneng:

Zambia, Kitwe:

T: +27 (0)14 596 5257

T: +27 (0)81 036 9111

T: +267 588 7617

T: +26 (0)21 222 5338

trading@trysome.co.za • www.trysome.co.za • PO Box 13677, Witfield 1467

Call us today!
TRYSOME
AUTO-ELECTRICAL ENGINEERING