

Multi-Voltage • Compact • Slim Line Design

The 27 w LED worklamp is a highly versatile and functional light. It can be used for a variety of vehicle, camping, solar, or backup lighting applications due to its wide DC input voltage range.

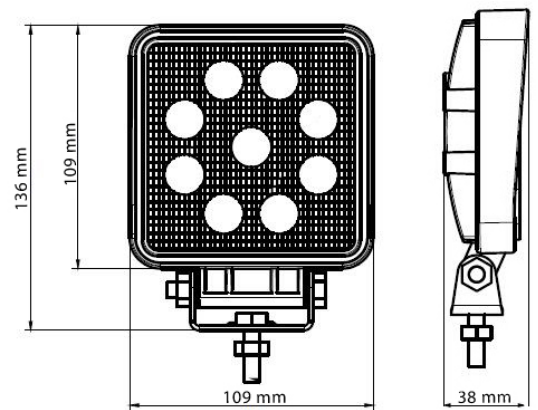
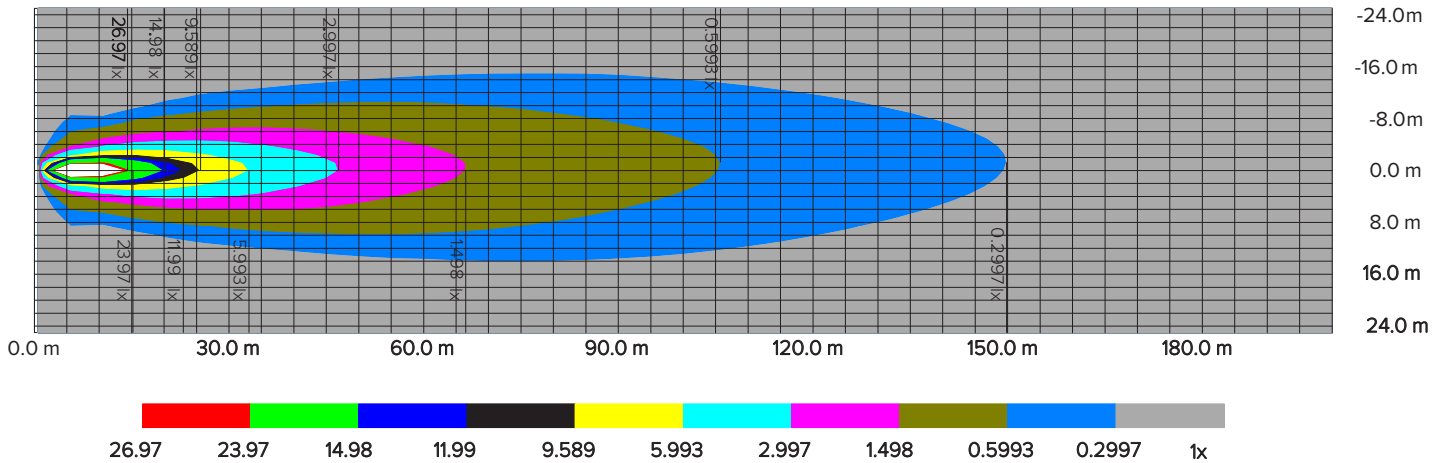
**SPECIFICATIONS:**

- Pencil Beam
- **10 - 30 Vdc**
- 27 w
- 1800 Lumens
- Aluminium Alloy Housing
- PMMA Lens
- -45° C to +85° C Operating Temperature
- 9 LED's
- LED Lifetime: 30 000 hours
- IP67
- **109 x 109 x 40.5 mm**



IP67

27 w



This product may not be a stock item. Please speak to our sales representative about lead times. Lead times, price, and availability can only be determined on receipt of an official quote from our supplier. This can sometimes take up to 3 days.

- |  |   |   |
|--|---|---|
| <b>Gauteng - Jet Park (HQ):</b><br>T: +27 (0)11 823 5650       | <b>Mpumalanga - Middelburg:</b><br>T: +27 (0)13 692 8132  | <b>Botswana, Gaborone:</b><br>T: +267 399 4150  |
| <b>Free State - Bloemfontein:</b><br>T: +27 (0)63 257 0505     | <b>Northern Cape - Kathu:</b><br>T: +27 (0)53 723 3415    | <b>Botswana, Lethakane:</b><br>T: +267 297 8568 |
| <b>Eastern Cape - Port Elizabeth:</b><br>T: +27 (0)82 450 6596 | <b>North West - Rustenburg:</b><br>T: +27 (0)14 596 5257  | <b>Mozambique, Tete:</b><br>T: +258 252 20666   |
| <b>KwaZulu Natal - Pinetown:</b><br>T: +27 (0)31 303 4129      | <b>Western Cape - Cape Town:</b><br>T: +27 (0)21 945 1453 | <b>Zambia, Kitwe:</b><br>T: +26 (0)21 222 5338  |



Call us today!  
**TRYSOME**  
AUTO-ELECTRICAL ENGINEERING

Delivering Optimal **Uptime!**