



LIGHTS FOR  
HEAVY DUTY

OPTIMAL, SUSTAINABLE LIGHTING SOLUTIONS WITH SUPERIOR DURABILITY FOR THE MOST DEMANDING CONDITIONS.

### Specifications

<b>Approvals:</b>	ECE
<b>Colour Temperature:</b>	5700 K
<b>Nominal / Input Voltage DC:</b>	12 - 24 V 9-32 V
<b>Bulb ECE:</b>	Indicator - 17.5 w Park - 2.7 w Headlight - 22 w
<b>Electronics:</b>	Integrated
<b>Connector:</b>	Built-in Deutsch 6-pin
<b>Mount:</b>	Single Bolt M10
<b>Shock:</b>	60 G
<b>Vibration:</b>	15.3 Grms 24-2000 Hz
<b>Lens:</b>	PC Transparent
<b>Body:</b>	Aluminium
<b>Weight:</b>	2.5 kg
<b>IP Rating:</b>	IP 68 IP6K9K SAE J1455
<b>Salt Mist:</b>	ISO 9227 240H
<b>EMC:</b>	CISPR 25 Class 3 EN 12895 ISO 13766 ISO 14982 ISO 7637-2 R10
<b>Operating Temperatures:</b>	-40°C... +85°C (Overheat protected)



The Nordic SCULPTOR LED N6002 QD combination light integrates headlight, indicator and park light in one assembly with a pedestral mount. The N6002 series is ideal for agriculture, construction and truck & trailer applications.

A rear mount ECE approved version is also available and is an ideal solution for headlamp/indicator requirements.

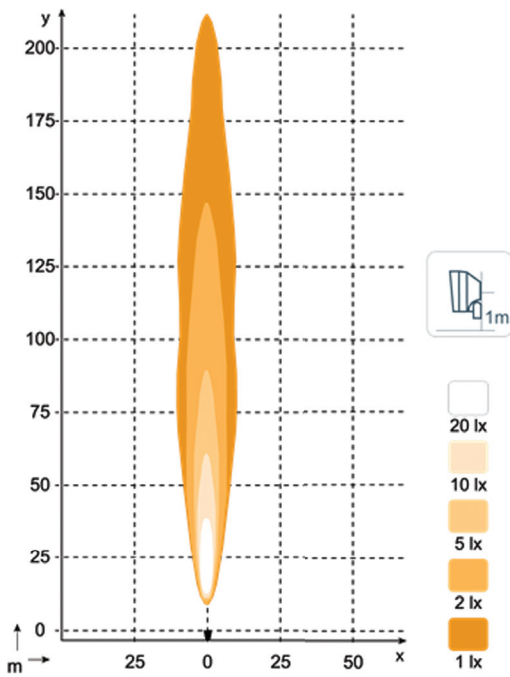
### Features

- Long Lifetime
- Heavy-Duty Construction
- Load Dump Protected
- Salt Mist
- Multi Voltage
- Headlight, Indicator and Park Light
- Low Maintenance
- Reverse Voltage
- Over Voltage Protected
- Optically Even
- Quake Dampening
- Modern Design
- Waterproof
- EMC
- Overheat Protect
- Distinct Light Pattern
- ECE Approved

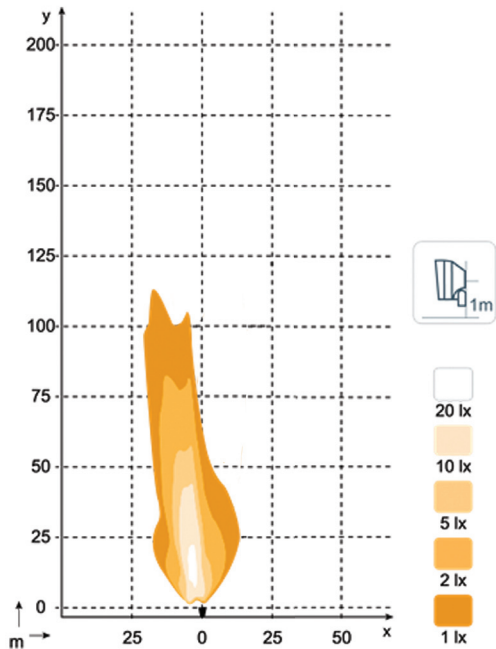


**SCULPTOR LED N6002 - Light Patterns**

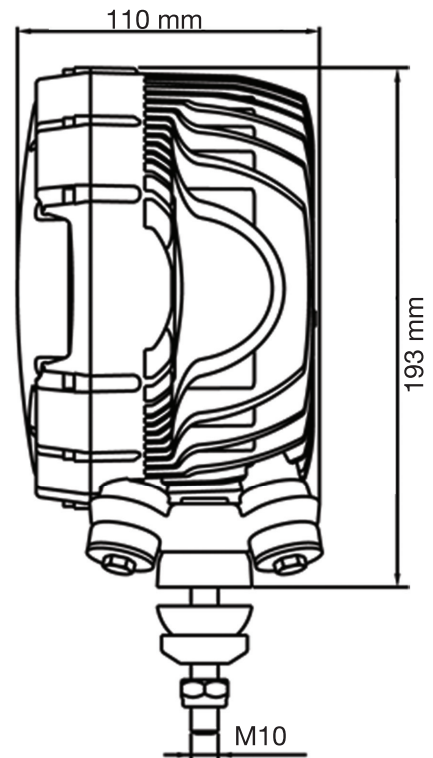
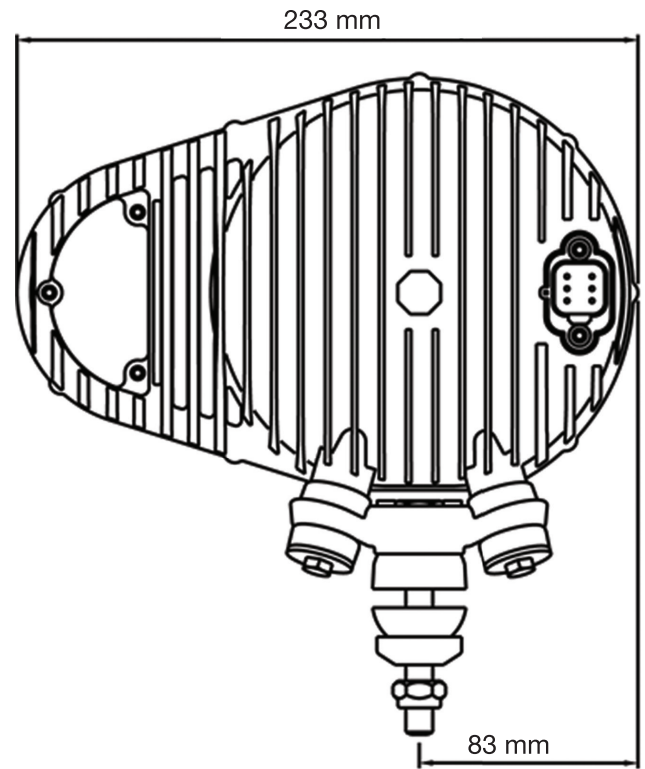
**N60XX ECE - High Beam**



**N60XX ECE - Low Beam**



**SCULPTOR N6002 - Dimensions**



Part No.	OE No.	Volts	Description	Connection	Approvals
T960-101	960-107	12-24 V	LH Traffic - Right	Deutsch Plug	ECE
T960-102	960-108	12-24 V	LH Traffic - Left	Deutsch Plug	ECE

These may not be stock items. Please speak to our sales representative about lead times. Lead times, price and availability can only be determined on receipt of an official quote from our supplier. This can sometimes take up to 3 days.

**Gauteng (HO):** T: +27 (0)11 823 5650  
**KwaZulu Natal:** T: +27 (0)31 303 4129  
**Northern Cape:** T: +27 (0)53 723 3415  
**North West:** T: +27 (0)14 596 5257  
**Mpumalanga:** T: +27 (0)13 692 8132  
**Western Cape:** T: +27 (0)21 945 1453

**Authorised Distributors:**  
**Namibia:** T: +264 64 200566

trading@trysome.co.za • www.trysome.co.za • P.O. Box 13677, Witfield, 1467