



300 Series

Universal Mount Back-up Alarm

VERSATILE • UNIVERSAL MOUNT • USED BY MAJOR OEM'S



Preco offers a complete line of alarms with various sound levels and operating voltages to meet your alarm requirements on a broad range of equipment and work environment noise levels.

The back-up alarm selected should have a sound level that is audible above the surrounding noise level.

Features & Benefits

- Universal mount allows vertical or horizontal mounting
- Flexible alarm series suitable for a large selection of vehicles and equipment
- Industry standard size and mounting holes
- Warranty: 2 years

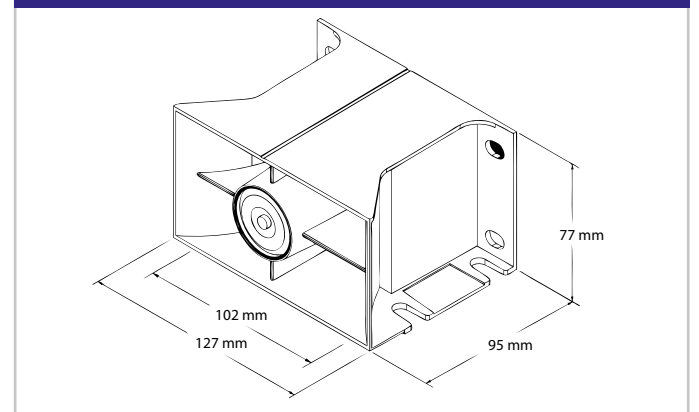
Low to Medium - High Sound

Versatile, durable housing provides optimum value for these low, medium, and high sound level alarms. Universal mounting provides vertical or horizontal mounting options. #8-32 UNC terminal studs. Used by major OEMs.

Weight: 1 lb. 8 oz. (681 g)

Dimensions

U.S. Trademark Registration 3,980,019



Part No.	Model	Decibels	Type	Voltage	Connection	Max Current	Weight	Approvals	SAE
T175214730	380	112	Fixed dB(A)	12-24 V	Studs	1.4	1 lb. 8 oz.	CE, R10, IP66	Type A

These may not be stock items. Please speak to our sales representative about lead times. Lead times, price and availability can only be determined on receipt of an official quote from our supplier. This can sometimes take up to 3 days.

Gauteng (HO):

T: +27 (0)11 823 5650

KwaZulu Natal:

T: +27 (0)31 303 4129

Northern Cape:

T: +27 (0)53 723 3415

North West:

T: +27 (0)14 596 5257

Mpumalanga:

T: +27 (0)13 692 8132

Western Cape:

T: +27 (0)21 945 1453

Zambia:

T: +26 (0)21 222 5338

Mozambique:

T: +258 252 20666

Authorised

Distributors:

Namibia:

T: +264 64 200566

trading@trysome.co.za • www.trysome.co.za • P.O. Box 13677, Witfield, 1467

