



LIGHTS FOR
HEAVY DUTY

OPTIMAL, SUSTAINABLE LIGHTING SOLUTIONS WITH SUPERIOR DURABILITY FOR THE MOST DEMANDING CONDITIONS.

The work light has a Twin-Power configuration offering a wide light pattern cut to prevent stray light upward. Designed to withstand extreme conditions whilst illuminating the work area.



N300 Halogen D TP H
The Nordic N300 Halogen D TP H work light is a solid, compact and slick work light featuring Heavy Duty Anti-Vibration Dampening and a handle.



N300 Halogen D TP
The Nordic N300 Halogen D TP work light is a solid, compact and slick work lamp featuring Heavy Duty Anti-Vibration Dampening.

Features

- Heavy Duty Anti-Vibration
- Twin Power Offering
- Rotate light unit for multiple fitting options
- Light Weight
- Suitable & easy fit for various vehicles
- Very Good Light Pattern
- Salt Mist
- Heavy Duty Glass Fibre
- Twin Power
- Non-dazzling
- Handle and switch
- Hardened Glass

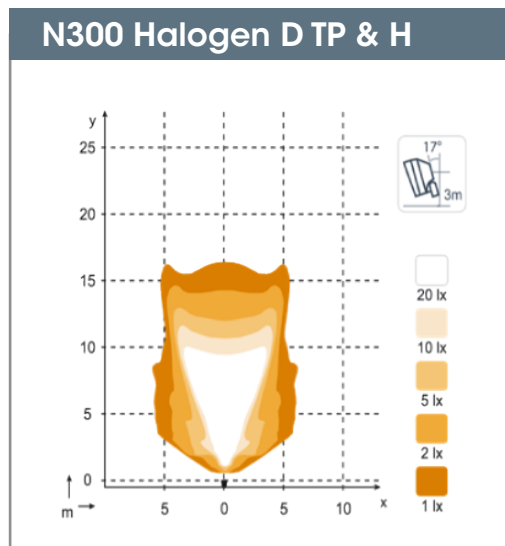
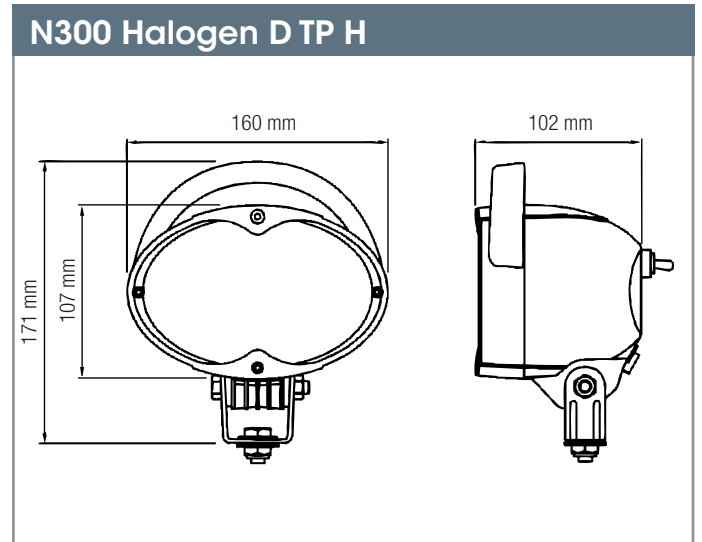
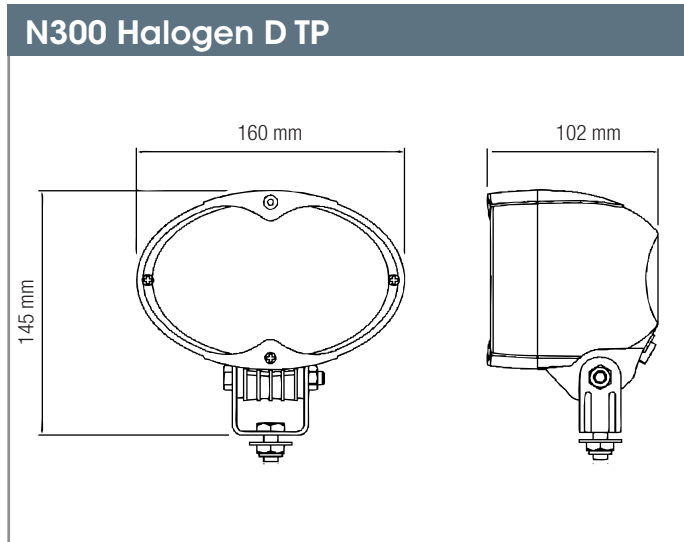
Specifications

Theoretical Lumens Output:	12 V	2900 lm
	24 V	3500 lm
Operational Lumens Output:	12 V	2200 lm
	24 V	2800 lm
Colour Temperature:		3200 K
Nominal / Input Voltage DC:	24 V	16-32 V
	36 V	28-44 V
	48 V	33-68 V
	80 V	56-110 V
	12 V	8-16 V
Bulb:		H3
Power Consumption:	12 V	2 x 55 w
	24 V	2 x 70 w
Nominal Current at:	80 V	1.4 A
	48 V	2.8 A
	36 V	4.0 A
	24 V	5.4 A
	12 V	9.2 A
Connector:		Built-in AMP
		Built-in Deutsch 2-pin
		Fly Leads
		Grommet
		Pigtail Deutsch 2-pin
Mount:		Single Bolt M10
		Single Bolt M8
Shock:		60 G
Vibration:		8.57 Grms 18-600 Hz
Lens:		Hardened Glass
Lens Colours:		Transparent, Yellow
Body:		Glass Fibre Reinforced Polyamide
Weight:		0.5 kg
IP Rating:		IP 67 (not Grommet)
Salt Mist:		ISO 9227 240H
Operating Temperatures:		-40°C... +85°C



0861 8797663
TRYSOME

TRYSOME



Part No.	Model	Volts	Watts	Connection	Light Pattern
T930-003B	N300 TP	12 V	55 w	Amp Plug	Twin-Power
T930-004B	N300 TP	24 V	70 w	-	Twin-Power
T930-103	N300 D TP H (no globe, with handle)	-	-	-	Twin-Power

These may not be stock items. Please speak to our sales representative about lead times. Lead times, price and availability can only be determined on receipt of an official quote from our supplier. This can sometimes take up to 3 days.

Gauteng (HO):

T: +27 (0)11 823 5650

KwaZulu Natal:

T: +27 (0)31 303 4129

Northern Cape:

T: +27 (0)53 723 3415

North West:

T: +27 (0)14 596 5257

Mpumalanga:

T: +27 (0)13 692 8132

Western Cape:

T: +27 (0)21 945 1453

Zambia:

T: +26 (0)21 222 5338

Mozambique:

T: +258 252 20666

Authorised

Distributors:

Namibia:

T: +264 64 200566