



LIGHTS FOR  
HEAVY DUTY

OPTIMAL, SUSTAINABLE LIGHTING SOLUTIONS WITH SUPERIOR DURABILITY FOR THE MOST DEMANDING CONDITIONS.

The Nordic ANTARES LED N33 work lamp offers solid illumination and a potent lighting solution.

The light offers long lifetime and high operational safety with minimum maintenance. The lamp is made to withstand tough conditions.



The success of Nordic Lights products is based on their durability. Nordic Lights are used in the most difficult and demanding working environments all over the world. The visibility offered by the high quality optics of the lights supports your machines in maintaining high working efficiency.

Nordic Lights are found on machines and vehicles within the mining, construction, forestry, agricultural, material handling and truck, trailer & emergency industries.

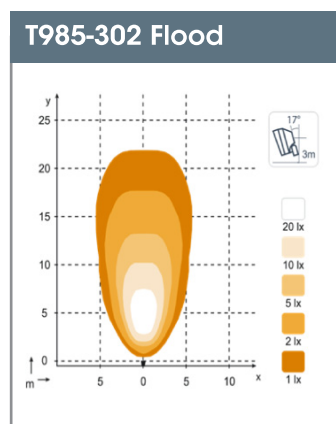
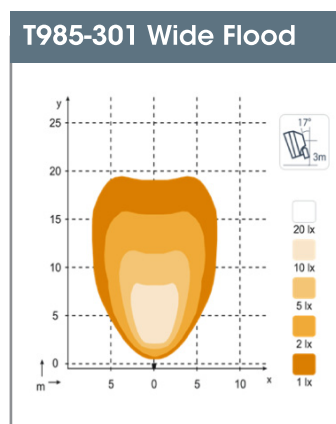
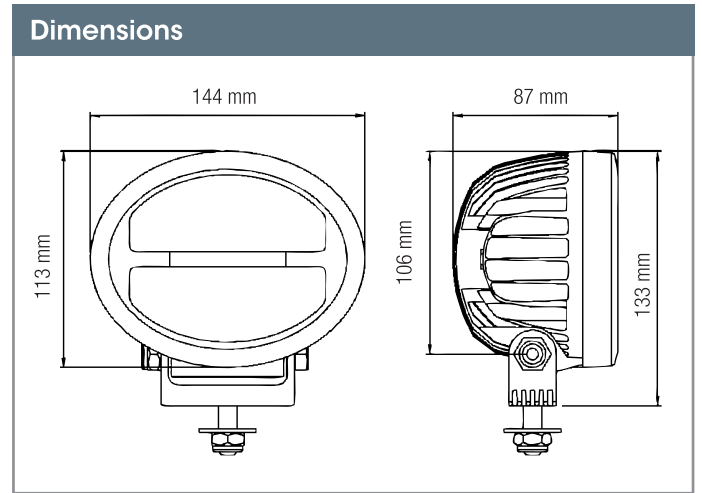
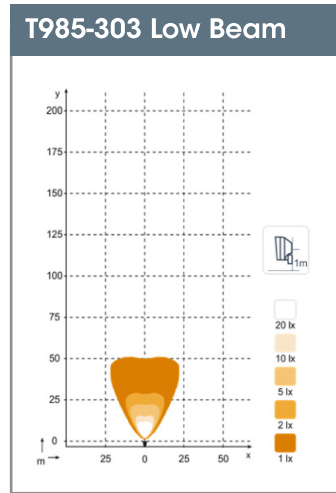
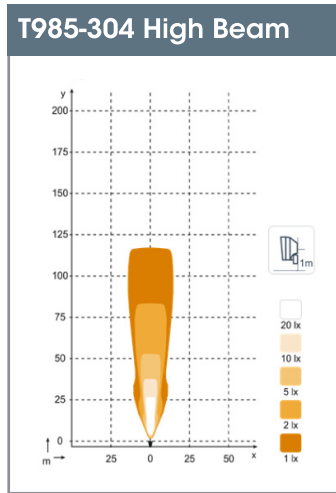
#### Specifications

<b>Theoretical Lumens Output:</b>	3400 lm
<b>Operational Lumens Output:</b>	2100 lm
<b>Colour Temperature:</b>	5700 K
<b>Nominal / Input Voltage DC:</b>	12-24 V 9-32 V
<b>Power Consumption:</b>	35 w
<b>Nominal Current at:</b>	24 V 1.5 A 12 V 3.0 A
<b>Electronics:</b>	Integrated
<b>Connector:</b>	Built-in Deutsch 2-pin
<b>Mount:</b>	Single Bolt M10
<b>Shock:</b>	60 G
<b>Vibration:</b>	15.3 Grms 24-2000 Hz
<b>Lens:</b>	PC
<b>Lens Colours:</b>	Amber, Red, Transparent, White, Yellow
<b>Body:</b>	Aluminium
<b>Weight:</b>	1.5 kg
<b>IP Rating:</b>	IP 68
	IP6K9K
	SAE J1455
<b>Salt Mist:</b>	ISO 9227 240H
<b>EMC:</b>	CISPR 25 Class 3
	ISO 13766
	ISO 14982
	ISO 7637-2
<b>Operating Temperatures:</b>	-40°C... +85°C (Overheat protected)

#### Features

- Long Lifetime
- Heavy Duty Construction
- Load Dump Protection
- Salt Mist
- Different Lens Colours
- Multi Voltage
- Low Maintenance
- Reverse Voltage
- Over Voltage Protected
- Optically Even
- Replaceable Lens
- Waterproof
- EMC
- Overheat Protected
- Strong Light Pattern
- Compact





Part No.	Model	Volts	Watts	Connection	Light Pattern
T985-301	N33 LED	12-24 V	35 w	Deutsch Plug	Wide Flood
T985-302	N33 LED	12-24 V	35 w	Deutsch Plug	Flood
T985-303	N33 LED	12-24 V	35 w	Deutsch Plug	Low Beam
T985-304	N33 LED	12-24 V	35 w	Deutsch Plug	High Beam

These may not be stock items. Please speak to our sales representative about lead times. Lead times, price and availability can only be determined on receipt of an official quote from our supplier. This can sometimes take up to 3 days.

**Gauteng (HO):**

T: +27 (0)11 823 5650

**KwaZulu Natal:**

T: +27 (0)31 303 4129

**Northern Cape:**

T: +27 (0)53 723 3415

**North West:**

T: +27 (0)14 596 5257

**Mpumalanga:**

T: +27 (0)13 692 8132

**Western Cape:**

T: +27 (0)21 945 1453

**Zambia:**

T: +26 (0)21 222 5338

**Mozambique:**

T: +258 252 20666

**Authorised Distributors:**

**Namibia:**

T: +264 64 200566