

Universal Mount Back-up Alarm 200 Series

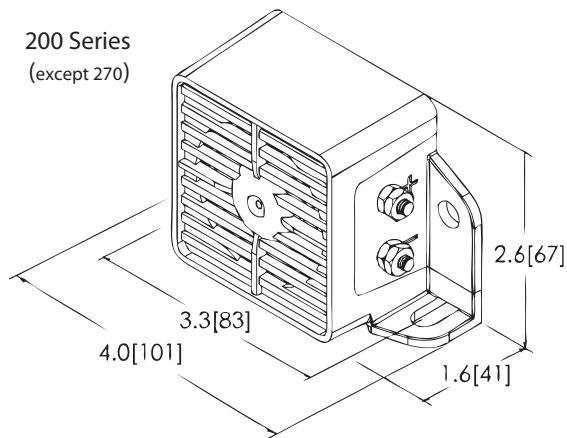


Preco offers a complete line of alarms with various sound levels and operating voltages to meet your alarm requirements on a broad range of equipment and work environment noise levels. The back-up alarm selected should have a sound level that is audible above the surrounding noise level. Warranty: 2 years

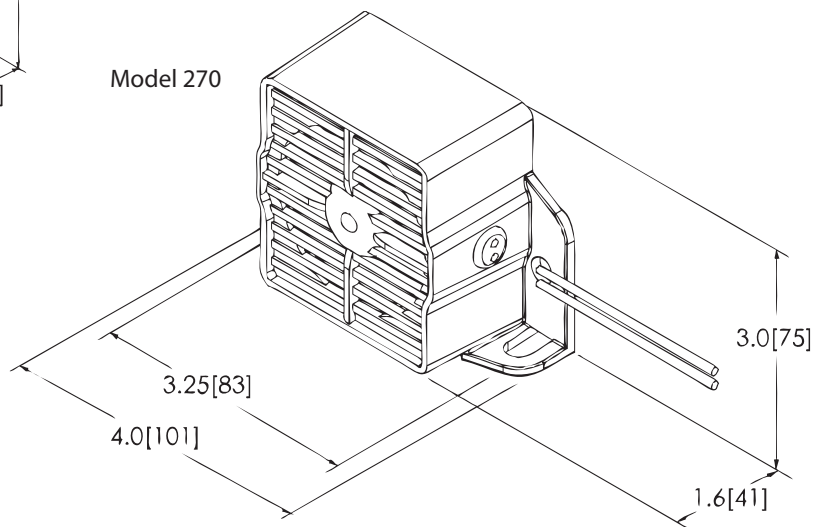
220, 230, 240, 250, ELT248,
ELT278, 1020, 1028, FS255



200 Series
(except 270)



Model 270



Basic Model - 250

Field-proven dependability has thrust the 200 Series alarms into the highest demand category of any low sound level alarm on the market. Used by major OEMs. These alarms have #8-32 UNC terminal studs. Weight: 10 oz. (284 g).

Part no.	Model no.	Decibels	Sound Level	Voltage	Connection	Max. Current	Weight	Approvals	SAE Class
TBA	220	87	Single	12 Vdc	Studs	0.2	10 oz.	CE, R10	Type D
TBA	230	97	Single	12 Vdc	Studs	0.2	10 oz.	CE, R10	Type C
TBA	240	97	Single	12-24 Vdc	Studs	0.2	10 oz.	CE, R10	Type C
T175214729	250	102	Single	12-24 Vdc	Studs	0.2	10 oz.	CE, R10	Type F



0861 8797663
TRY SOME

TRY SOME

High Sound Level - Wire Leads

This compact, high sound level alarm is specifically designed for 107 decibels. This solid state alarm is polarity protected. The 270 alarm has an approximate current draw of 0.5 Amps. Self-resonating circuitry automatically adjusts to environmental conditions to ensure a constant 107 decibels output. Weight: 12 oz. (340 g)

Part no.	Model no.	Decibels	Sound Level	Voltage	Connection	Max. Current	Weight	Approvals	SAE Class
T175214731	270	107	Single	12-24 Vdc	Wire Leads	1.2	11.5 oz.	CE, R10	Type B

Night Silent

The Night Silent Alarm is designed for use at night time in sound sensitive areas as mandated. The feature disengages the back-alarm when voltage is applied to the blue wire either via a dash toggle or wired to the headlights. Weight: 10 oz. (284 g)

Part no.	Model no.	Decibels	Sound Level	Voltage	Connection	Max. Current	Weight	Approvals	SAE Class
TBA	240CS	97	Single	12-24 Vdc	Wire Leads	0.2	10 oz.	R10	Type C

Self Adjusting

Compact, self-adjusting alarm. Ideal for low sound level. Adjusts to a minimum of five decibels above the surrounding noise. Rugged and reliable solid state electronics. This alarm has #8-32 UNC terminal studs. Weight: 10 oz. (284 g)

Part no.	Model no.	Decibels	Sound Level	Voltage	Connection	Max. Current	Weight	Approvals	SAE Class
T175214732	1020	77 to 102	Self-Adjust	12-24 Vdc	Studs	0.2	10 oz.	UL	Type E - F
TBA	1028	77 to 97	Self Adjust	12-48 Vdc	Studs	0.2	10 oz.	UL	Type C - E

Electric Vehicles

Specifically designed low sound level alarms for electric powered vehicles, the ELT 248, ELT 278, and ELT 280 provide voltage and decibel options at minimal cost. These alarms have #8-32 UNC terminal studs. Weight: 10 oz. (284 g)

Part no.	Model no.	Decibels	Sound Level	Voltage	Connection	Max. Current	Weight	Approvals	SAE Class
T175214702	ELT248	97	Single	12-48 Vdc	Studs	0.2	10 oz	CE, R10, UL	Type C
T175214703	ELT278	87	Single	12 Vdc	Studs	0.2	10 oz	CE, R10, UL	Type D

Speciality Alarms

Part no.	Model no.	Decibels	Sound Level	Voltage	Connection	Max. Current	Weight	Approvals	SAE Class
TBA	FS255	102	Fast	12-24 Vdc	Studs	0.3	10 oz	CE, R10	-
TBA	DS232	97	Dual	12 Vdc	Studs	0.3	10 oz	CE, R10	-

These may not be stock items. Please speak to our sales representative about lead times. Lead times, price and availability can only be determined on receipt of an official quote from our supplier. This can sometimes take up to 3 days.

Gauteng (HO):

T: +27 (0)11 823 5650

KwaZulu Natal:

T: +27 (0)31 303 4129

Northern Cape:

T: +27 (0)53 723 3415

North West:

T: +27 (0)14 596 5257

Mpumalanga:

T: +27 (0)13 692 8132

Western Cape:

T: +27 (0)21 945 1453

Zambia:

T: +26 (0)21 222 5338

Mozambique:

T: +258 252 20666

Authorised

Distributors:

Namibia:

T: +264 64 200566

trading@trysome.co • www.trysome.co.za • P.O. Box 13677, Witfield, 1467



WE KEEP THE EARTH MOVING!