



OPTIMAL, SUSTAINABLE LIGHTING SOLUTIONS WITH SUPERIOR DURABILITY FOR THE MOST DEMANDING CONDITIONS.

#### Nordic N100 Halogen D

The N100 Halogen D work lamp is suitable for locations requiring wide illumination and equipped with heavy-duty, anti-vibration dampening. Suitable for vertical or pendant mounting by rotating light unit. Runs like clockwork from dusk to dawn.



PN: T910-011B  
Halogen D

Special  
Vibration  
Dampener

#### Nordic N100 Halogen S

The N100 Halogen S work lamp is suitable for locations requiring wide illumination. The work light is equipped with side mounting bracket. Runs like clockwork from dusk to dawn.



PN: T900-056B  
Halogen S

360° Indexable  
Side Mount

#### Specifications

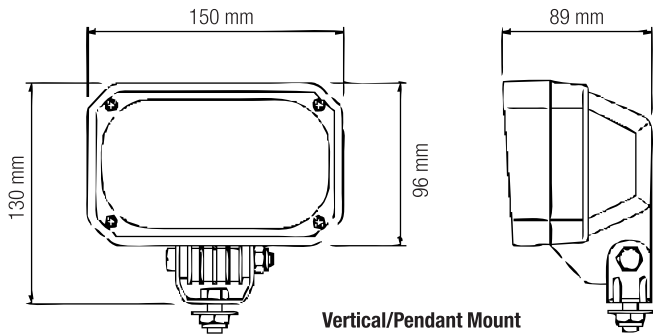
<b>Theoretical Lumens Output:</b>	12 V	1450 lm
	24 V	1750 lm
<b>Operational Lumens Output:</b>	12 V	1100 lm
	24 V	1400 lm
<b>Colour Temperature:</b>		3200 K
<b>Nominal / Input Voltage DC:</b>	24 V	16-32 V
	36 V	28-44 V
	48 V	33-68 V
	80 V	56-110 V
	12 V	8-16 V
<b>Bulb:</b>		H3
<b>Power Consumption:</b>	12 V	55 w
	24 V	65 w (Halogen D only)
	24 V	70 w
<b>Nominal Current at:</b>	80 V	0.7 A
	48 V	1.4 A
	36 V	2.0 A
	24 V	2.7 A
	12 V	4.6 A
<b>Connector:</b>		Built-in AMP
		Built-in Deutsch 2-pin
		Fly Leads
		Grommet
<b>Mount:</b>		Pigtail Deutsch 2-pin
		Single Bolt M10
		Single Bolt M8
<b>Vibration:</b>		8.57 Grms 18-600 Hz
<b>Lens:</b>		Hardened Glass
<b>Lens Colours:</b>		Transparent
<b>Body:</b>		Polyamide
<b>Weight:</b>		0.5 kg
<b>IP Rating:</b>		IP 67 (excludes grommet mount type)
<b>Salt Mist:</b>		ISO 9227 240H
<b>Operating Temperatures:</b>		-40° C... +85° C

#### Features

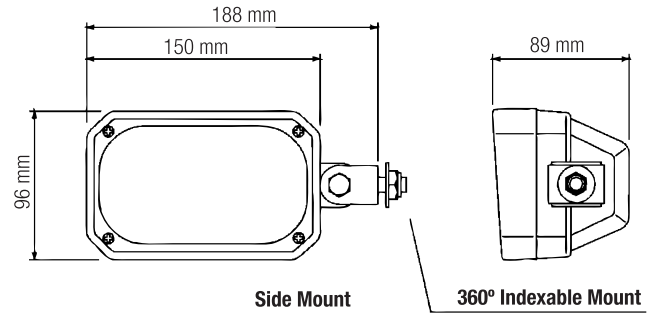
- Heavy-duty anti-dampening
- Excellent light output
- Rotate light unit for multiple fitting options
- Salt mist
- Hardened glass
- Suitable & easy fit for various vehicles
- Light weight



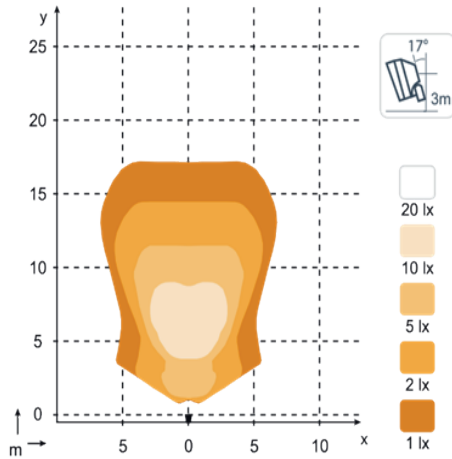
**N100 Halogen D - Dimensions**



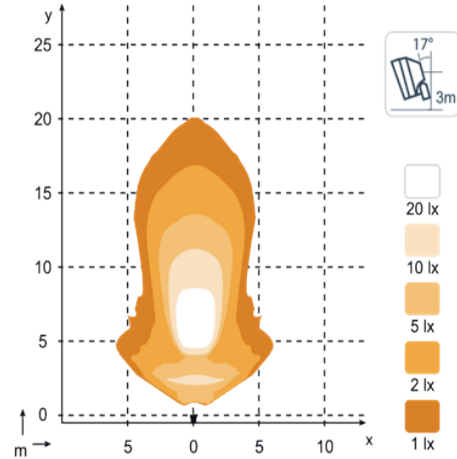
**N100 Halogen S - Dimensions**



**T910-011B, T900-056B - Wide Flood**



**Part No.: TBA - Flood**



Part No.	Model	Volts	Watts	Lens Type	Light Pattern	Globe
<b>T910-011B</b>	N100 D	24 V	65 w	-	Wide Flood	H3
<b>T900-056B</b> (Side Mount)	N100 S	24 V	70 w	Frosted Lens	Wide Flood	-
<b>T910-023B</b> (Blue Lens) End of Range	N100	24 V	-	Blue Lens	-	H3

These may not be stock items. Please speak to our sales representative about lead times. Lead times, price and availability can only be determined on receipt of an official quote from our supplier. This can sometimes take up to 3 days.

**Gauteng (HO):**

T: +27 (0)11 823 5650

**KwaZulu Natal:**

T: +27 (0)31 303 4129

**Northern Cape:**

T: +27 (0)53 723 3415

**North West:**

T: +27 (0)14 596 5257

**Mpumalanga:**

T: +27 (0)13 692 8132

**Western Cape:**

T: +27 (0)21 945 1453

**Zambia:**

T: +26 (0)21 222 5338

**Mozambique:**

T: +258 252 20666

**Authorised**

**Distributors:**

**Namibia:**

T: +264 64 200566