



**ELECTRO
MECANICA
CORMAR**

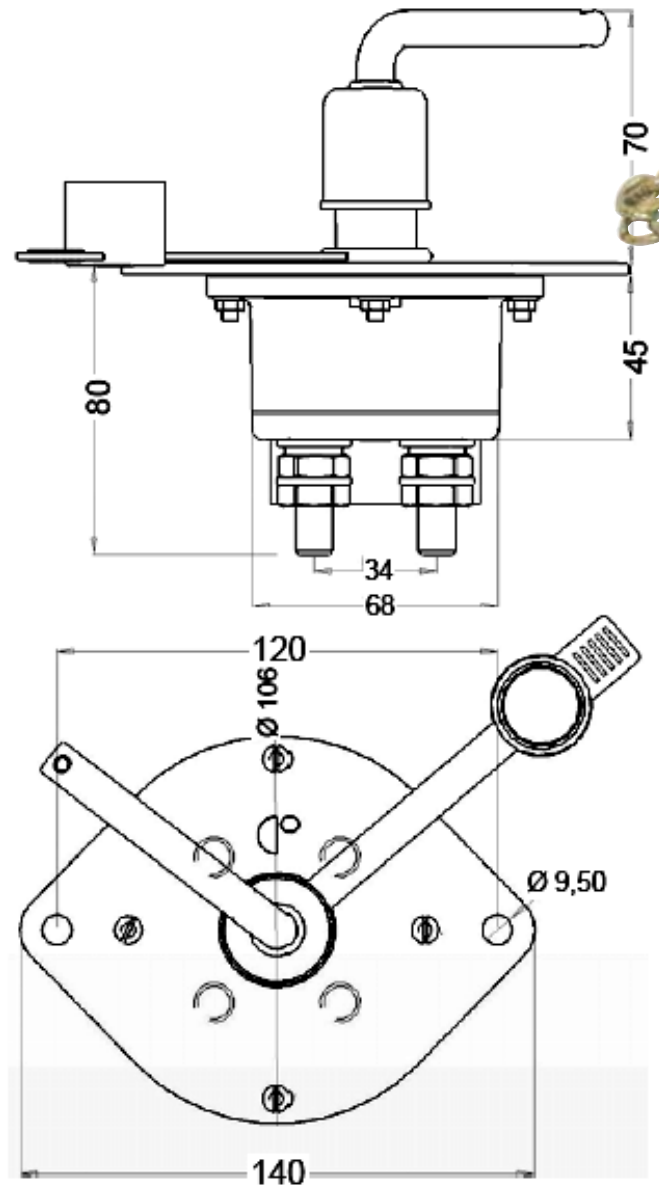
NEW

Bipolar Battery Master Switch

24Vdc / 250A



T050417504



General Characteristics

- Protection Degree: IP66
- Ambient Temp: -40°C / +85°C
- Weight: ± 1.00 Kg
- Contacts: Copper
- Connections: Not polarised

Particular Characteristics

- Removable handle with PVC protector

Applications

- Agricultural machinery, industry

Power Circuit

- Connection: M10 terminals
- Tightening torque: 1.5 ± 0.1 daN·m
- Type: Normally opened

BIPOLAR

- Max. using tension: 48Vdc
- Capacity: 250A in continuous
2500A during 5 sec.

Spare Parts

- Handle, chain and protection
- Handle
- Strap and PVC protection

TRY SOME



0861 8797663
TRY SOME

Johannesburg:

T: +27 (0)11 823 5650

F: +27 (0)11 823 5662

Rustenburg:

T: +27 (0)14 596 5257

F: +27 (0)14 596 5854

Witbank:

T: +27 (0)13 692 8132

F: +27 (0)13 692 8281

Cape Town:

T: +27 (0)21 945 1453

F: +27 (0)21 949 6188

Durban:

T: +27 (0)31 914 2120

F: +27 (0)31 914 0152

Kathu

T: +27 (0)82 383 8335

trading@trysome.cc • www.trysome.cc • Box 13677, Witfield, 1467